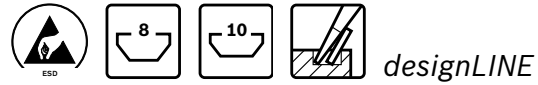
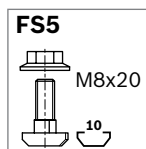
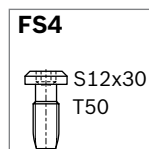
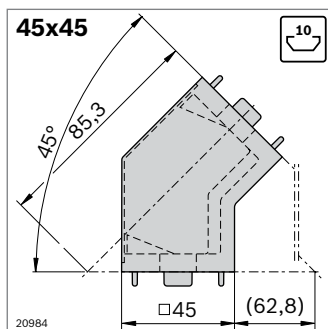
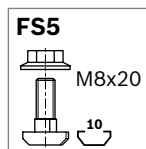
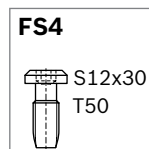
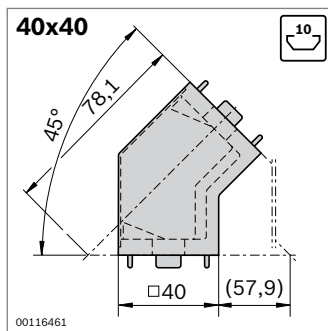
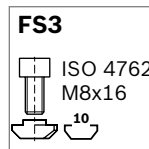
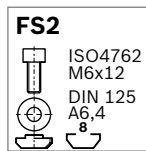
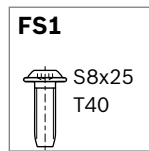
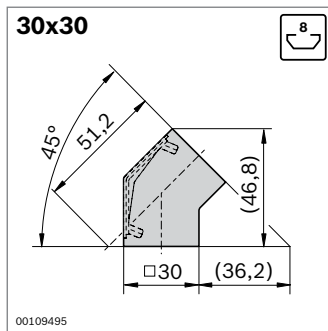


### Connector 45°



- ▶ For connecting profiles at an angle of less than 45°
- ▶ Suitable for reinforcing frames
- ▶ Suitable for connections at the end-face or in the profile slot
- ▶ Connectors 45° 40x40 and 45x45 with centering lugs for easy positioning (centering lugs can simply be broken off for installation in the profile slot)
- ▶ *designLINE* version with special silver paint (RAL 9006) for an attractive, high-quality design
- ▶ Profile finishing: not required



45° connector	Slot	ESD	No.	FS
30x30 Set (standard)	8	⚡	3 842 518 426	2xFS1, FS2, FS3
<i>designLINE</i> set	8	⚡	3 842 538 700	2xFS1, FS2, FS3

Material Connector 45°: diecast zinc  
*designLINE* 45° connector: painted (RAL 9006)  
 Centering element, cap: PA; black  
 Fastening material: steel; galvanized  
 Scope of delivery: Set incl. fastening material (FS), 6 x centering piece, cap

45° connector	Slot	ESD	No.	FS
40x40 Set (standard)	10	⚡	3 842 532 205	2xFS4, FS5
<i>designLINE</i> set	10	⚡	3 842 538 701	2xFS4, FS5

Material Connector 45°: cast aluminum  
*designLINE* 45° connector: painted (RAL 9006)  
 Cover cap: PA; black  
 Fastening material: steel; galvanized  
 Scope of delivery: set incl. fastening material (FS), cap

45° connector	Slot	ESD	No.	FS
45x45 Set (standard)	10	⚡	3 842 535 428	2xFS4, FS5
<i>designLINE</i> set	10	⚡	3 842 538 702	2xFS4, FS5

Material Connector 45°: cast aluminum  
*designLINE* 45° connector: painted (RAL 9006)  
 Cover cap: PA; black  
 Fastening material: steel; galvanized  
 Scope of delivery: set incl. fastening material (FS), cap